

# CAPILLARY DIAL THERMOMETERS TYPE TXC

TYPE	DRAWING	DIMENSIONS mm																																															
<b>A</b>  TXCxxxXA		<table border="1" style="margin-left: auto; margin-right: auto;"> <thead> <tr> <th rowspan="2">DIM.</th> <th colspan="5">CASE DIAMETER</th> </tr> <tr> <th>63</th> <th>80</th> <th>100</th> <th>160</th> <th>250</th> </tr> </thead> <tbody> <tr> <td>A</td> <td>65</td> <td>83</td> <td>101</td> <td>161</td> <td>252</td> </tr> <tr> <td>B</td> <td>38</td> <td>37</td> <td>45</td> <td>45</td> <td>55</td> </tr> <tr> <td>C</td> <td>13</td> <td>13</td> <td>13</td> <td>13</td> <td>13</td> </tr> </tbody> </table>	DIM.	CASE DIAMETER					63	80	100	160	250	A	65	83	101	161	252	B	38	37	45	45	55	C	13	13	13	13	13																		
DIM.	CASE DIAMETER																																																
	63	80	100	160	250																																												
A	65	83	101	161	252																																												
B	38	37	45	45	55																																												
C	13	13	13	13	13																																												
<b>B</b>  TXCxxxXB		<table border="1" style="margin-left: auto; margin-right: auto;"> <thead> <tr> <th rowspan="2">DIM.</th> <th colspan="5">CASE DIAMETER</th> </tr> <tr> <th>63</th> <th>80</th> <th>100</th> <th>160</th> <th>250</th> </tr> </thead> <tbody> <tr> <td>A</td> <td>65</td> <td>83</td> <td>101</td> <td>161</td> <td>252</td> </tr> <tr> <td>B</td> <td>41</td> <td>40</td> <td>51</td> <td>51</td> <td>57</td> </tr> <tr> <td>C</td> <td>13</td> <td>13</td> <td>13</td> <td>13</td> <td>13</td> </tr> <tr> <td>D</td> <td>86</td> <td>110</td> <td>132</td> <td>196</td> <td>285</td> </tr> <tr> <td>H</td> <td>3.5</td> <td>4</td> <td>5.5</td> <td>6</td> <td>6</td> </tr> <tr> <td>P</td> <td>75</td> <td>95</td> <td>116</td> <td>178</td> <td>270</td> </tr> </tbody> </table>	DIM.	CASE DIAMETER					63	80	100	160	250	A	65	83	101	161	252	B	41	40	51	51	57	C	13	13	13	13	13	D	86	110	132	196	285	H	3.5	4	5.5	6	6	P	75	95	116	178	270
DIM.	CASE DIAMETER																																																
	63	80	100	160	250																																												
A	65	83	101	161	252																																												
B	41	40	51	51	57																																												
C	13	13	13	13	13																																												
D	86	110	132	196	285																																												
H	3.5	4	5.5	6	6																																												
P	75	95	116	178	270																																												
<b>D</b>  TXCxxxXD		<table border="1" style="margin-left: auto; margin-right: auto;"> <thead> <tr> <th rowspan="2">DIM.</th> <th colspan="5">CASE DIAMETER</th> </tr> <tr> <th>63</th> <th>80</th> <th>100</th> <th>160</th> <th>250</th> </tr> </thead> <tbody> <tr> <td>A</td> <td>65</td> <td>83</td> <td>101</td> <td>161</td> <td>252</td> </tr> <tr> <td>B</td> <td>33</td> <td>29</td> <td>31</td> <td>32</td> <td>45</td> </tr> <tr> <td>C</td> <td>13</td> <td>13</td> <td>13</td> <td>13</td> <td>13</td> </tr> <tr> <td>D</td> <td>86</td> <td>110</td> <td>132</td> <td>196</td> <td>285</td> </tr> <tr> <td>H</td> <td>3.5</td> <td>4</td> <td>5.5</td> <td>6</td> <td>6</td> </tr> <tr> <td>P</td> <td>75</td> <td>95</td> <td>116</td> <td>178</td> <td>270</td> </tr> </tbody> </table>	DIM.	CASE DIAMETER					63	80	100	160	250	A	65	83	101	161	252	B	33	29	31	32	45	C	13	13	13	13	13	D	86	110	132	196	285	H	3.5	4	5.5	6	6	P	75	95	116	178	270
DIM.	CASE DIAMETER																																																
	63	80	100	160	250																																												
A	65	83	101	161	252																																												
B	33	29	31	32	45																																												
C	13	13	13	13	13																																												
D	86	110	132	196	285																																												
H	3.5	4	5.5	6	6																																												
P	75	95	116	178	270																																												
<b>F</b>  TXCxxxXF		<table border="1" style="margin-left: auto; margin-right: auto;"> <thead> <tr> <th rowspan="2">DIM.</th> <th colspan="5">CASE DIAMETER</th> </tr> <tr> <th>63</th> <th>80</th> <th>100</th> <th>160</th> <th>250</th> </tr> </thead> <tbody> <tr> <td>A</td> <td>65</td> <td>83</td> <td>101</td> <td>161</td> <td>252</td> </tr> <tr> <td>B</td> <td>41</td> <td>40</td> <td>51</td> <td>51</td> <td>57</td> </tr> <tr> <td>D</td> <td>86</td> <td>110</td> <td>132</td> <td>196</td> <td>285</td> </tr> <tr> <td>H</td> <td>3.5</td> <td>4</td> <td>5.5</td> <td>6</td> <td>6</td> </tr> <tr> <td>P</td> <td>75</td> <td>95</td> <td>116</td> <td>178</td> <td>270</td> </tr> </tbody> </table>	DIM.	CASE DIAMETER					63	80	100	160	250	A	65	83	101	161	252	B	41	40	51	51	57	D	86	110	132	196	285	H	3.5	4	5.5	6	6	P	75	95	116	178	270						
DIM.	CASE DIAMETER																																																
	63	80	100	160	250																																												
A	65	83	101	161	252																																												
B	41	40	51	51	57																																												
D	86	110	132	196	285																																												
H	3.5	4	5.5	6	6																																												
P	75	95	116	178	270																																												
<b>G</b>  TXCxxxXG		<table border="1" style="margin-left: auto; margin-right: auto;"> <thead> <tr> <th rowspan="2">DIM.</th> <th colspan="5">CASE DIAMETER</th> </tr> <tr> <th>63</th> <th>80</th> <th>100</th> <th>160</th> <th>250</th> </tr> </thead> <tbody> <tr> <td>A</td> <td>65</td> <td>83</td> <td>101</td> <td>161</td> <td>252</td> </tr> <tr> <td>B</td> <td>33</td> <td>29</td> <td>31</td> <td>32</td> <td>45</td> </tr> <tr> <td>D</td> <td>86</td> <td>110</td> <td>132</td> <td>196</td> <td>285</td> </tr> <tr> <td>H</td> <td>3.5</td> <td>4</td> <td>5.5</td> <td>6</td> <td>6</td> </tr> <tr> <td>P</td> <td>75</td> <td>95</td> <td>116</td> <td>178</td> <td>270</td> </tr> </tbody> </table>	DIM.	CASE DIAMETER					63	80	100	160	250	A	65	83	101	161	252	B	33	29	31	32	45	D	86	110	132	196	285	H	3.5	4	5.5	6	6	P	75	95	116	178	270						
DIM.	CASE DIAMETER																																																
	63	80	100	160	250																																												
A	65	83	101	161	252																																												
B	33	29	31	32	45																																												
D	86	110	132	196	285																																												
H	3.5	4	5.5	6	6																																												
P	75	95	116	178	270																																												

TYPE H AND I SEE PAGE 20

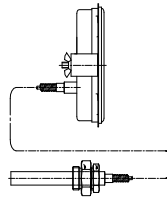
# CAPILLARY DIAL THERMOMETERS

## Type TXC, with stainless steel case according to EN 13190

### STANDARD MODEL:

<b>CASE</b>	: bayonet lock, AISI304/1.4301, IP-65
<b>CAPILLARY TUBE</b>	: see page 22 (upto 100 meters)
<b>STEM AND BULB</b>	: AISI321/1.4541, see page 23-25
<b>CONNECTION</b>	: AISI304/1.4301, see page 23-25
<b>WINDOW</b>	: mineral glass 4 mm
<b>DIAL</b>	: aluminium, black figures on white
<b>POINTER</b>	: aluminium, black
<b>RANGES</b>	: from -200 upto +800°C, see page 26-28

### EXAMPLE:



**TXC160XH**

<b>ADJUSTMENT</b>	: +/- 6 % F.S. with adj. screw at the side
<b>OVERLOAD</b>	: up to 30% F.S. (but max. 800°C)
<b>ACCURACY</b>	: ±1% F.S. / class 1
<b>MOVEMENT</b>	: brass
<b>OPTIONS</b>	: see page 30
<b>CONTACTS</b>	: see page 31-34
<b>PT-100</b>	: see page 39
<b>TRANSMITTER</b>	: see page 39

TYPE	MODEL	CASE DIAMETER (Ø in mm)				
		63	80	100	160	250
<b>A</b> 1140		TXC063XA	TXC080XA	TXC100XA	TXC160XA	TXC250XA
<b>B</b> 1142		TXC063XB	TXC080XB	TXC100XB	TXC160XB	TXC250XB
<b>D</b> 1141		TXC063XD	TXC080XD	TXC100XD	TXC160XD	TXC250XD
<b>F</b> 1148		TXC063XF	TXC080XF	TXC100XF	TXC160XF	TXC250XF
<b>G</b> 1145		TXC063XG	TXC080XG	TXC100XG	TXC160XG	TXC250XG
<b>H</b> 1146		TXC063XH	TXC080XH	TXC100XH	TXC160XH	TXC250XH
<b>I</b> -		TXC063XI	TXC080XI	TXC100XI	TXC160XI	TXC250XI
<b>OPTION (see also page 32)</b>		<b>EXTRA COSTS</b>				
<b>Lx</b>	LIQUID FILLED CASE: GLYCERINE (in combination with electrical device: Ondina oil, see page 43)	TXC063Lx	TXC080Lx	TXC100Lx	TXC160Lx	TXC250Lx

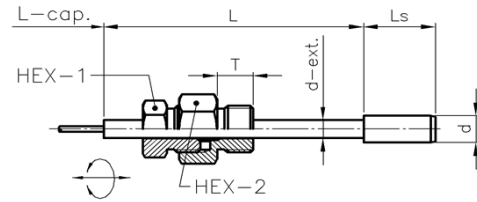
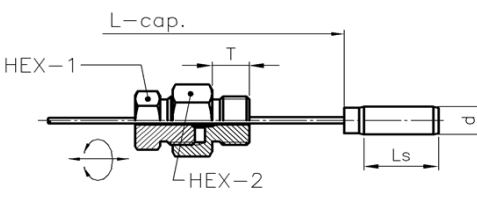
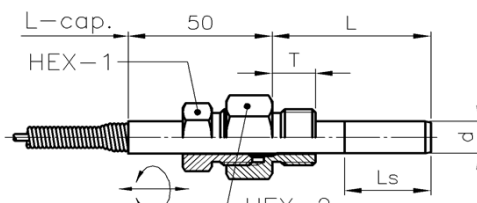
# CAPILLARY DIAL THERMOMETERS TYPE TXC

TYPE	DRAWING	DIMENSIONS mm																																																					
<b>H</b>  TXCxxxXH		<table border="1"> <thead> <tr> <th rowspan="2">DIM.</th> <th colspan="5">CASE DIAMETER</th> </tr> <tr> <th>63*</th> <th>80</th> <th>100</th> <th>160</th> <th>250+</th> </tr> </thead> <tbody> <tr> <td>A</td> <td>65</td> <td>83</td> <td>101</td> <td>161</td> <td>252</td> </tr> <tr> <td>B</td> <td>30</td> <td>35</td> <td>35</td> <td>25</td> <td>45</td> </tr> <tr> <td>C</td> <td>20**</td> <td>25</td> <td>20</td> <td>20</td> <td>0</td> </tr> <tr> <td>D</td> <td>70</td> <td>85</td> <td>112</td> <td>180</td> <td>270</td> </tr> <tr> <td>E</td> <td>50</td> <td>55</td> <td>60</td> <td>60</td> <td>70</td> </tr> <tr> <td>P</td> <td>33</td> <td>59</td> <td>75</td> <td>139</td> <td>+</td> </tr> <tr> <td>T</td> <td>M5</td> <td>M5</td> <td>M5</td> <td>M5</td> <td>M5</td> </tr> </tbody> </table> <p>* U-clamp vertical mounted                      ** 20 mm to the left (front view)                      + with 3 clamps under 120 degr.</p>	DIM.	CASE DIAMETER					63*	80	100	160	250+	A	65	83	101	161	252	B	30	35	35	25	45	C	20**	25	20	20	0	D	70	85	112	180	270	E	50	55	60	60	70	P	33	59	75	139	+	T	M5	M5	M5	M5	M5
		DIM.		CASE DIAMETER																																																			
63*	80		100	160	250+																																																		
A	65	83	101	161	252																																																		
B	30	35	35	25	45																																																		
C	20**	25	20	20	0																																																		
D	70	85	112	180	270																																																		
E	50	55	60	60	70																																																		
P	33	59	75	139	+																																																		
T	M5	M5	M5	M5	M5																																																		
<b>I</b>  TXCxxxXI		<table border="1"> <thead> <tr> <th rowspan="2">DIM.</th> <th colspan="5">CASE DIAMETER</th> </tr> <tr> <th>63</th> <th>80</th> <th>100</th> <th>160</th> <th>250</th> </tr> </thead> <tbody> <tr> <td>A</td> <td>65</td> <td>83</td> <td>101</td> <td>161</td> <td>252</td> </tr> <tr> <td>B</td> <td>38</td> <td>37</td> <td>45</td> <td>45</td> <td>55</td> </tr> <tr> <td>C</td> <td>13</td> <td>13</td> <td>13</td> <td>13</td> <td>13</td> </tr> </tbody> </table>	DIM.	CASE DIAMETER					63	80	100	160	250	A	65	83	101	161	252	B	38	37	45	45	55	C	13	13	13	13	13																								
		DIM.		CASE DIAMETER																																																			
63	80		100	160	250																																																		
A	65	83	101	161	252																																																		
B	38	37	45	45	55																																																		
C	13	13	13	13	13																																																		

# CAPILLARY DIAL THERMOMETERS TYPE TPC

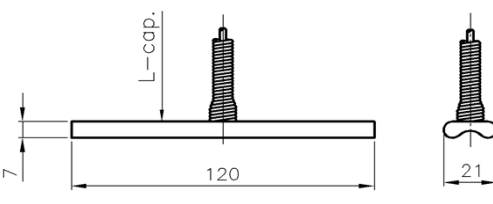
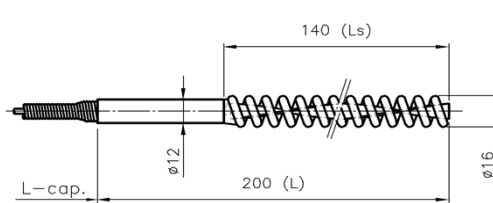
<b>S</b>  TPCxxxxxXS		<table border="1"> <thead> <tr> <th rowspan="2">DIM.</th> <th colspan="4">CASE DIAMETER</th> </tr> <tr> <th>72 x 72</th> <th>96 x 96</th> <th>144x 144</th> <th>192x192</th> </tr> </thead> <tbody> <tr> <td>A</td> <td>66</td> <td>90</td> <td>136</td> <td>183</td> </tr> <tr> <td>B</td> <td>53</td> <td>53</td> <td>53</td> <td>89</td> </tr> <tr> <td>D</td> <td>72</td> <td>96</td> <td>144</td> <td>195</td> </tr> <tr> <td>E</td> <td>95</td> <td>95</td> <td>95</td> <td>95</td> </tr> <tr> <td>F</td> <td>8</td> <td>8</td> <td>8</td> <td>8</td> </tr> </tbody> </table>	DIM.	CASE DIAMETER				72 x 72	96 x 96	144x 144	192x192	A	66	90	136	183	B	53	53	53	89	D	72	96	144	195	E	95	95	95	95	F	8	8	8	8
		DIM.		CASE DIAMETER																																
72 x 72	96 x 96		144x 144	192x192																																
A	66	90	136	183																																
B	53	53	53	89																																
D	72	96	144	195																																
E	95	95	95	95																																
F	8	8	8	8																																
<b>V/H</b>  TPCxxxxxXV TPCxxxxxXH		<table border="1"> <thead> <tr> <th rowspan="2">DIM.</th> <th colspan="2">CASE DIAMETER</th> </tr> <tr> <th>144x72</th> <th>192x96</th> </tr> </thead> <tbody> <tr> <td>A1</td> <td>66</td> <td>91</td> </tr> <tr> <td>A2</td> <td>136</td> <td>184</td> </tr> <tr> <td>B</td> <td>130</td> <td>155</td> </tr> <tr> <td>C</td> <td>30</td> <td>30</td> </tr> <tr> <td>D1</td> <td>72</td> <td>96</td> </tr> <tr> <td>D2</td> <td>144</td> <td>192</td> </tr> <tr> <td>F</td> <td>8</td> <td>8</td> </tr> </tbody> </table>	DIM.	CASE DIAMETER		144x72	192x96	A1	66	91	A2	136	184	B	130	155	C	30	30	D1	72	96	D2	144	192	F	8	8								
		DIM.		CASE DIAMETER																																
144x72	192x96																																			
A1	66	91																																		
A2	136	184																																		
B	130	155																																		
C	30	30																																		
D1	72	96																																		
D2	144	192																																		
F	8	8																																		

# CONNECTIONS FOR CAPILLARY MODELS TYPE TXC

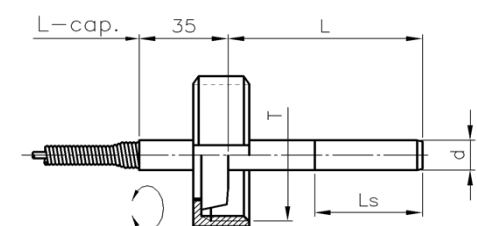
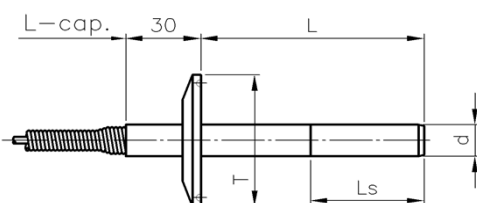
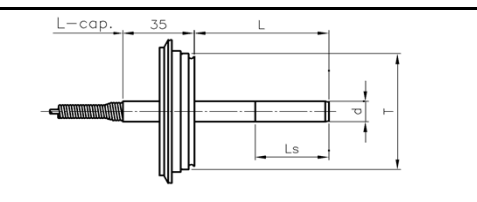
TYPE	MODEL	DIMENSIONS				EXTRA COSTS	
		connection	HEX-1	HEX-2	T	d max	STAINLESS STEEL
							AISI304/1.4301
<b>CS 1</b>  <i>adjustable connection, sliding on extension tube</i>	 <p>THREAD BETWEEN HEX-1 and HEX-2: 1/2"BSP</p>	1/4"BSP	22	27	12	Ø 11	
		3/8"BSP	22	27	12	Ø 14	
		1/2"BSP	22	27	14	Ø 18	
		3/4"BSP	22	32	16	Ø 23	
		1"BSP	22	36	18	Ø 30	
		1/4"NPT	22	27	14	Ø 13	
		1/2"NPT	22	27	20	Ø 20	
		3/4"NPT	22	27	20	Ø 25	
		1"NPT	22	36	25	Ø 32	
		M18x1.5	22	27	12	Ø 16	
		M20x1.5	22	27	14	Ø 18	
		M24x1.5	22	27	14	Ø 22	
		<b>CS 2</b>  <i>adjustable connection, sliding on capillary</i>	 <p>THREAD BETWEEN HEX-1 and HEX-2: 1/2"BSP</p>	1/4"BSP	22	27	12
3/8"BSP	22			27	12	Ø 14	
1/2"BSP	22			27	14	Ø 18	
3/4"BSP	22			32	16	Ø 23	
1"BSP	22			36	18	Ø 30	
1/4"NPT	22			27	14	Ø 13	
1/2"NPT	22			27	20	Ø 20	
3/4"NPT	22			27	20	Ø 25	
1"NPT	22			36	25	Ø 32	
M18x1.5	22			27	12	Ø 16	
M20x1.5	22			27	14	Ø 18	
M24x1.5	22			27	14	Ø 22	
<b>CS 3</b>  <i>adjustable connection, sliding on stem</i>	 <p>THREAD BETWEEN HEX-1 and HEX-2: 1/2"BSP</p>			1/4"BSP	22	27	12
		3/8"BSP	22	27	12	Ø 11	
		1/2"BSP	22	27	14	Ø 15	
		3/4"BSP	22	32	16	Ø 20	
		1"BSP	22	36	18	Ø 20	
		1/4"NPT	22	27	14	Ø 8	
		1/2"NPT	22	27	20	Ø 15	
		3/4"NPT	22	27	20	Ø 20	
		1"NPT	22	36	25	Ø 20	
		M18x1.5	22	27	12	Ø 12	
		M20x1.5	22	27	14	Ø 14	
		M24x1.5	22	27	14	Ø 18	
			<b>FOR CONNECTION TYPE CS3</b>	1/2"BSP female			
	3/4"BSP female						
	1"BSP female						

All other connections, if technically possible, EUR 75,00 for quantities of < 10 pieces per connection, larger quantities on request

## CONNECTIONS FOR CAPILLARY MODELS TYPE TXC

TYPE	MODEL	DIMENSIONS			EXTRA COSTS
		L	D-1	D-2	STAINLESS STEEL AISI321/1.4541
<b>S</b> surface bulb		-	-	-	
<b>HA</b> helical air bulb	 <p>for L longer than 200 see page 25</p>	-	-	-	

## SANITARY CONNECTIONS FOR CAPILLARY MODELS TYPE TXC

TYPE	MODEL WITH POLISHED BULB	DIMENSIONS		EXTRA COSTS
		connection	T	STAINLESS STEEL AISI316/1.4401
<b>CM</b> <i>acc. to DIN 11851</i>	 <p>(also available in SMS, RJT, IDF etc.)</p>	1" - DN25	rd 52 x 1/6	
		1 1/2" - DN40	rd 65 x 1/6	
		2" - DN50	rd 78 x 1/6	
		3" - DN80	rd 104 x 1/6	
<b>TC</b> <i>TRI CLAMP acc. to ISO 2852</i>		1"	$\phi$ 50.5	
		1 1/2"	$\phi$ 50.5	
		2"	$\phi$ 64	
<b>TV</b> <i>Varivent® In-Line</i>		DN50	$\phi$ 50	
		Suitable for In Line housing DN25		
		DN68	$\phi$ 68	
		Suitable for In Line housing DN40 and up		

### OPTIONS FOR BULB AND STEM

OPTION		EXTRA COSTS
		PER 100 MM
BULB AND STEM AISI316/1.4401	for diameter 6, 8, 9, 10, 12, 13, 14, 15, 16, 18	
BULB AND STEM POLISHED (MECHANICAL)	for all diameters	
BULB AND STEM PTFE® LINING (max.250°C)	MAXIMUM 1000 mm (longer: ON DEMAND)	first 100 mm: O D
BULB AND STEM HALAR® COATED (max.120°C)		per 100 mm extra: O D

## TEMPERATURE RANGES for all types:

TEMPERATURE RANGES			EXTRA COSTS
(in °C)	SCALE DIVISION		CASE DIMENSIONS ( in mm)
	cl. 1	option cl. 0.6	ALL CASE DIMENSIONS
-200 ...+50	5	2	
-120 ...+40	2	1	
-110 ...+50	5	1	
-100 ...+100	5	1	
-100 ...+50	5	1	
-80 ...+40	2	1	
-60 ...+40	2	0.5	
-60 ...+60	2	1	
-50 ...+50	2	0.5	
-50 ...+100	5	1	
-40 ...+20	1	0.5	
-40 ...+40	1	0.5	
-40 ...+60	2	0.5	
-40 ...+80	2	1	
-40 ...+110	5	1	
-40 ...+120	2	0.5	
-40 ...+160	5	1	
-30 ...+30	1	0.5	
-30 ...+50	1	0.5	
-30 ...+70	2	0.5	
-30 ...+170	5	1	
-20 ...+40	1	0.5	
-20 ...+60	1	0.5	
-20 ...+80	2	0.5	
-20 ...+100	2	1	
-20 ...+120	2	1	
-20 ...+180	5	1	
-15 ...+45	1	0.5	
-10 ...+15	0.5	0.2	x
-10 ...+30	1	0.2	
-10 ...+50	1	0.5	
-10 ...+110	2	1	
-10 ...+150	5	1	
0 ...+25	0.5	0.2	x
0 ...+40	1	0.2	
0 ...+60	1	0.5	
0 ...+80	1	0.5	
0 ...+100	2	0.5	
0 ...+120	2	1	
0 ...+160	5	1	
0 ...+200	5	1	•
0 ...+250	5	2	
0 ...+300	5	2	
0 ...+400	10	2	
0 ...+500	10	5	
0 ...+600	10	5	
0 ...+700	10	5	
0 ...+800	10	5	

x NOT AVAILABLE

• STANDARD / NO EXTRA PRICE

**ALMOST EVERY RANGE IS POSSIBLE! PRICES ON REQUEST**

## TEMPERATURE RANGES for TXR-DIESEL:

TEMPERATURE RANGES				
(in °C)	SCALE DIVISION	CASE DIMENSIONS ( in mm)		
	cl. 1	Ø 63	Ø 80	Ø 100
0 ...+600	10		•	
0 ...+650	10		•	
0 ...+700	10			
0 ...+750	10			
0 ...+800	10			
+50 ...+600	10		•	
+50 ...+650	10		•	
+50 ...+700	10			
+100 ...+600	10		•	
+100 ...+650	10		•	
+100 ...+700	10			

## OPTIONS ON TEMPERATURE RANGES

OPTIONS	EXTRA COSTS											
<b>RANGE IN °F or °K</b>												
Standard ranges	•											
Non-standard ranges	•											
<b>DUAL SCALE IN °C/F</b>												
Standard ranges	•											
Non-standard ranges	O D											
<b>OTHER OPTIONS</b>												
Non-standard scale division												
<b>ACCURACY</b>												
±1% F.S. / class 1	•	•	•	•	•	•	•	•	•	•	•	•
±0.6 / 0.5% F.S. (class 0.6 or 0.5) <i>(Without external adjustment)</i>	x	x					x	x				
Mirrorscale (for anti-parallax)	x	x	x				x	x	x	x	x	x

x NOT AVAILABLE

• STANDARD / NO EXTRA PRI

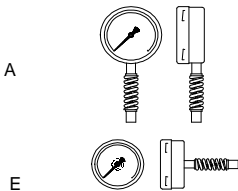
## MARKING FOR TEMPERATURE GAUGES

OPTION	EXTRA PRICE
TAG number on dial	
TAG number on AISI304/1.4301 TAG plate 55x25 mm	
Lettering on dial	
Red mark on dial	

## CERTIFICATES FOR TEMPERATURE GAUGES

TYPE OF CERTIFICATE	NET PRICES
Certificate of Conformity acc. to EN 10204 2.2.	
Calibration certificate (Traceable to international standards)	
Material certificate wetted parts acc. to EN 10204 3.1	
ATEX certification, including ATEX on the dial; only possible with STIKO logo. For gauges without contact: <b>INSTRUMENTS WITH ATEX CERTIFICATION MUST ALSO HAVE SAFETY GLASS AND A BLOW - OUT</b>	<b>PER ORDER</b>
ATEX certification, including ATEX on the dial; only possible with STIKO logo. For gauges with inductive contact: <b>INSTRUMENTS WITH ATEX CERTIFICATION MUST ALSO HAVE SAFETY GLASS AND A BLOW - OUT</b>	<b>PER INSTRUMENT</b>

## OPTIONS FOR THERMOMETERS

OPTION		CASE DIAMETER (Ø in mm)				
		63	80	100	160	250
<b>SILICONE OIL FILLING</b>	AGAINST HEAVY VIBRATIONS					
<b>CASE MATERIAL AISI316L/1.4404</b> <small>(i.o. AISI304/1.4301)</small>	CASE + BAYONETRING		N.A.		*	N.A.
	FRONT -OR BACKFLANGE	N.A.	N.A.		9,00*	N.A.
<b>ANTI-VIBRATIONSPRING</b> <small>for model: TXR, Type A and E SEE ALSO TXR-DIESEL</small>	 <p>A</p> <p>E</p>					
<b>+AVS</b>		+AVS	+AVS	+AVS	+AVS	+AVS
<b>PLEXIGLASS</b>	PMMA					
<b>SAFETY GLASS</b>	REQUIRED FOR ATEX					
<b>BLOW OUT</b>						
<b>DRAG POINTER</b> <small>RESETABLE WITH KEY</small>	Single Drag Pointer					
	Double Drag Pointer	N.A.	N.A.			
<b>DRAG POINTER</b> <small>IN COMBINATION WITH CONTACT RESETABLE WITH KEY</small>	ONLY FOR "HZ" CONTACTS	N.A.	N.A.			N.A.
<b>OVERLOAD RESISTANCE EXECUTION</b>	OVERLOAD POSSIBLE UPTO 100% DEPENDING ON RANGE MAXIMUM +800°C	OD	OD	OD	OD	OD
<b>STAINLESS STEEL MOVEMENT</b>	AISI304/1.4301					
<b>MICROMETER POINTER</b>	ADJUSTABLE POINTER					

\* 160mm SS316L cases not available with electrical contacts