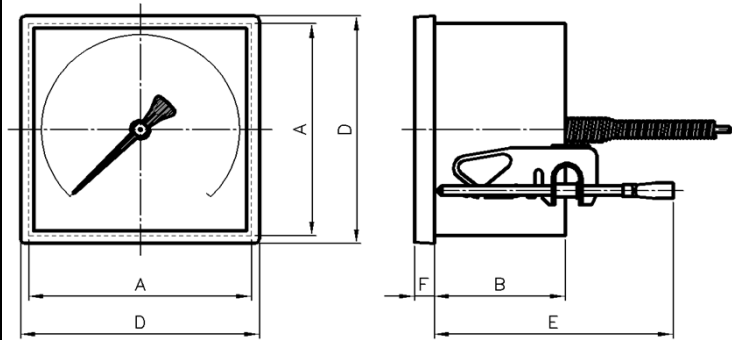


CAPILLARY DIAL THERMOMETERS TYPE TPC

S

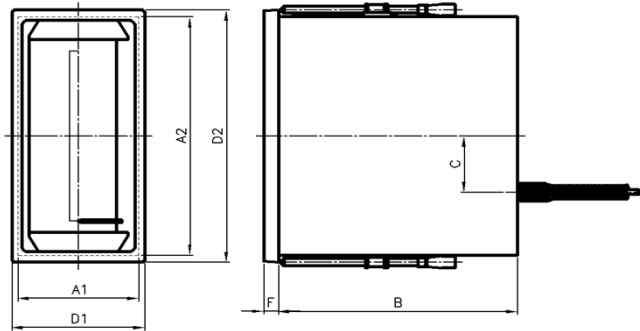
TPCxxxxXS



DIM.	CASE DIAMETER			
	72 x 72	96 x 96	144x 144	192x192
A	66	90	136	183
B	53	53	53	89
D	72	96	144	195
E	95	95	95	95
F	8	8	8	8

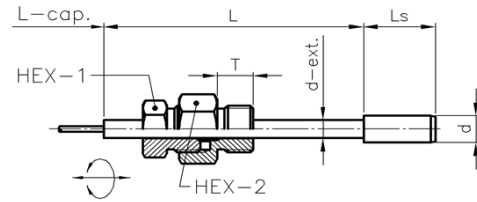
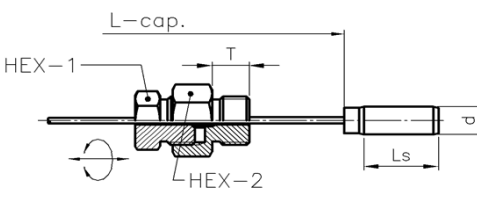
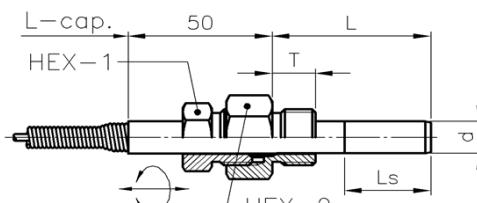
V/H

TPCxxxxXV
TPCxxxxXH



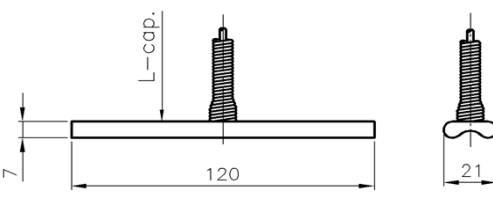
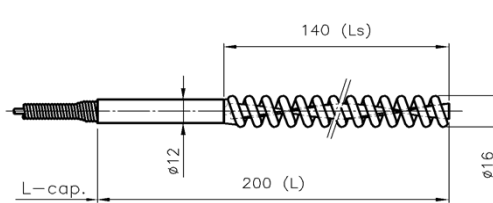
DIM.	CASE DIAMETER	
	144x72	192x96
A1	66	91
A2	136	184
B	130	155
C	30	30
D1	72	96
D2	144	192
F	8	8

CONNECTIONS FOR CAPILLARY MODELS TYPE TXC

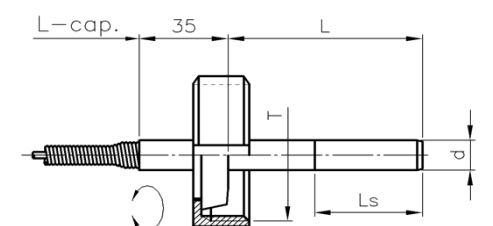
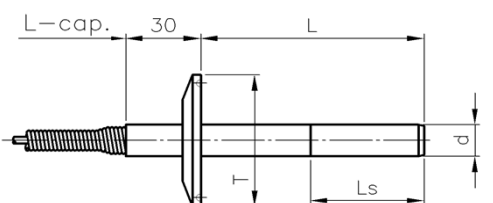
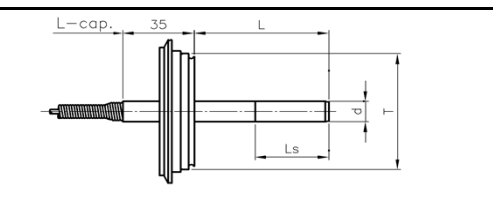
TYPE	MODEL	DIMENSIONS				EXTRA COSTS	
		connection	HEX-1	HEX-2	T	d max	STAINLESS STEEL
							AISI304/1.4301
CS 1 <i>adjustable connection, sliding on extension tube</i>	 <p>THREAD BETWEEN HEX-1 and HEX-2: 1/2"BSP</p>	1/4"BSP	22	27	12	Ø 11	
		3/8"BSP	22	27	12	Ø 14	
		1/2"BSP	22	27	14	Ø 18	
		3/4"BSP	22	32	16	Ø 23	
		1"BSP	22	36	18	Ø 30	
		1/4"NPT	22	27	14	Ø 13	
		1/2"NPT	22	27	20	Ø 20	
		3/4"NPT	22	27	20	Ø 25	
		1"NPT	22	36	25	Ø 32	
		M18x1.5	22	27	12	Ø 16	
		M20x1.5	22	27	14	Ø 18	
		M24x1.5	22	27	14	Ø 22	
		CS 2 <i>adjustable connection, sliding on capillary</i>	 <p>THREAD BETWEEN HEX-1 and HEX-2: 1/2"BSP</p>	1/4"BSP	22	27	12
3/8"BSP	22			27	12	Ø 14	
1/2"BSP	22			27	14	Ø 18	
3/4"BSP	22			32	16	Ø 23	
1"BSP	22			36	18	Ø 30	
1/4"NPT	22			27	14	Ø 13	
1/2"NPT	22			27	20	Ø 20	
3/4"NPT	22			27	20	Ø 25	
1"NPT	22			36	25	Ø 32	
M18x1.5	22			27	12	Ø 16	
M20x1.5	22			27	14	Ø 18	
M24x1.5	22			27	14	Ø 22	
CS 3 <i>adjustable connection, sliding on stem</i>	 <p>THREAD BETWEEN HEX-1 and HEX-2: 1/2"BSP</p>			1/4"BSP	22	27	12
		3/8"BSP	22	27	12	Ø 11	
		1/2"BSP	22	27	14	Ø 15	
		3/4"BSP	22	32	16	Ø 20	
		1"BSP	22	36	18	Ø 20	
		1/4"NPT	22	27	14	Ø 8	
		1/2"NPT	22	27	20	Ø 15	
		3/4"NPT	22	27	20	Ø 20	
		1"NPT	22	36	25	Ø 20	
		M18x1.5	22	27	12	Ø 12	
		M20x1.5	22	27	14	Ø 14	
		M24x1.5	22	27	14	Ø 18	
			FOR CONNECTION TYPE CS3	1/2"BSP female			
	3/4"BSP female						
	1"BSP female						

All other connections, if technically possible, EUR 75,00 for quantities of < 10 pieces per connection, larger quantities on request

CONNECTIONS FOR CAPILLARY MODELS TYPE TXC

TYPE	MODEL	DIMENSIONS			EXTRA COSTS
		L	D-1	D-2	STAINLESS STEEL AISI321/1.4541
S surface bulb		-	-	-	
HA helical air bulb	 <p>for L longer than 200 see page 25</p>	-	-	-	

SANITARY CONNECTIONS FOR CAPILLARY MODELS TYPE TXC

TYPE	MODEL WITH POLISHED BULB	DIMENSIONS		EXTRA COSTS
		connection	T	STAINLESS STEEL AISI316/1.4401
CM <i>acc. to DIN 11851</i>	 <p>(also available in SMS, RJT, IDF etc.)</p>	1" - DN25	rd 52 x 1/6	
		1 1/2" - DN40	rd 65 x 1/6	
		2" - DN50	rd 78 x 1/6	
		3" - DN80	rd 104 x 1/6	
TC <i>TRI CLAMP acc. to ISO 2852</i>		1"	Ø 50.5	
		1 1/2"	Ø 50.5	
		2"	Ø 64	
TV <i>Varivent® In-Line</i>		DN50	Ø 50	
		Suitable for In Line housing DN25		
		DN68	Ø 68	
		Suitable for In Line housing DN40 and up		

OPTIONS FOR BULB AND STEM

OPTION		EXTRA COSTS
		PER 100 MM
BULB AND STEM AISI316/1.4401	for diameter 6, 8, 9, 10, 12, 13, 14, 15, 16, 18	
BULB AND STEM POLISHED (MECHANICAL)	for all diameters	
BULB AND STEM PTFE® LINING (max.250°C)	MAXIMUM 1000 mm (longer: ON DEMAND)	first 100 mm: O D
BULB AND STEM HALAR® COATED (max.120°C)		per 100 mm extra: O D

TEMPERATURE RANGES for all types:

TEMPERATURE RANGES			EXTRA COSTS
(in °C)	SCALE DIVISION		CASE DIMENSIONS (in mm)
	cl. 1	option cl. 0.6	ALL CASE DIMENSIONS
-200 ...+50	5	2	
-120 ...+40	2	1	
-110 ...+50	5	1	
-100 ...+100	5	1	
-100 ...+50	5	1	
-80 ...+40	2	1	
-60 ...+40	2	0.5	
-60 ...+60	2	1	
-50 ...+50	2	0.5	
-50 ...+100	5	1	
-40 ...+20	1	0.5	
-40 ...+40	1	0.5	
-40 ...+60	2	0.5	
-40 ...+80	2	1	
-40 ...+110	5	1	
-40 ...+120	2	0.5	
-40 ...+160	5	1	
-30 ...+30	1	0.5	
-30 ...+50	1	0.5	
-30 ...+70	2	0.5	
-30 ...+170	5	1	
-20 ...+40	1	0.5	
-20 ...+60	1	0.5	
-20 ...+80	2	0.5	
-20 ...+100	2	1	
-20 ...+120	2	1	
-20 ...+180	5	1	
-15 ...+45	1	0.5	
-10 ...+15	0.5	0.2	x
-10 ...+30	1	0.2	
-10 ...+50	1	0.5	
-10 ...+110	2	1	
-10 ...+150	5	1	
0 ...+25	0.5	0.2	x
0 ...+40	1	0.2	
0 ...+60	1	0.5	
0 ...+80	1	0.5	
0 ...+100	2	0.5	
0 ...+120	2	1	
0 ...+160	5	1	
0 ...+200	5	1	•
0 ...+250	5	2	
0 ...+300	5	2	
0 ...+400	10	2	
0 ...+500	10	5	
0 ...+600	10	5	
0 ...+700	10	5	
0 ...+800	10	5	

x NOT AVAILABLE

• STANDARD / NO EXTRA PRICE

ALMOST EVERY RANGE IS POSSIBLE! PRICES ON REQUEST

TEMPERATURE RANGES for TXR-DIESEL:

TEMPERATURE RANGES				
(in °C)	SCALE DIVISION	CASE DIMENSIONS (in mm)		
	cl. 1	Ø 63	Ø 80	Ø 100
0 ...+600	10		•	
0 ...+650	10		•	
0 ...+700	10			
0 ...+750	10			
0 ...+800	10			
+50 ...+600	10		•	
+50 ...+650	10		•	
+50 ...+700	10			
+100 ...+600	10		•	
+100 ...+650	10		•	
+100 ...+700	10			

OPTIONS ON TEMPERATURE RANGES

OPTIONS	EXTRA COSTS											
RANGE IN °F or °K												
Standard ranges	•											
Non-standard ranges	•											
DUAL SCALE IN °C/°F												
Standard ranges	•											
Non-standard ranges	O D											
OTHER OPTIONS												
Non-standard scale division												
ACCURACY												
±1% F.S. / class 1	•	•	•	•	•	•	•	•	•	•	•	•
±0.6 / 0.5% F.S. (class 0.6 or 0.5) (Without external adjustment)	x	x					x	x				
Mirrorscale (for anti-parallax)	x	x	x				x	x	x	x	x	x

x NOT AVAILABLE

• STANDARD / NO EXTRA PRI

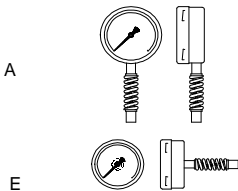
MARKING FOR TEMPERATURE GAUGES

OPTION	EXTRA PRICE
TAG number on dial	
TAG number on AISI304/1.4301 TAG plate 55x25 mm	
Lettering on dial	
Red mark on dial	

CERTIFICATES FOR TEMPERATURE GAUGES

TYPE OF CERTIFICATE	NET PRICES
Certificate of Conformity acc. to EN 10204 2.2.	
Calibration certificate (Traceable to international standards)	
Material certificate wetted parts acc. to EN 10204 3.1	
ATEX certification, including ATEX on the dial; only possible with STIKO logo. For gauges without contact: INSTRUMENTS WITH ATEX CERTIFICATION MUST ALSO HAVE SAFETY GLASS AND A BLOW - OUT	PER ORDER
ATEX certification, including ATEX on the dial; only possible with STIKO logo. For gauges with inductive contact: INSTRUMENTS WITH ATEX CERTIFICATION MUST ALSO HAVE SAFETY GLASS AND A BLOW - OUT	PER INSTRUMENT

OPTIONS FOR THERMOMETERS

OPTION		CASE DIAMETER (Ø in mm)				
		63	80	100	160	250
SILICONE OIL FILLING	AGAINST HEAVY VIBRATIONS					
CASE MATERIAL AISI316L/1.4404 <small>(i.o. AISI304/1.4301)</small>	CASE + BAYONETRING		N.A.		*	N.A.
	FRONT -OR BACKFLANGE	N.A.	N.A.		9,00*	N.A.
ANTI-VIBRATIONSPRING <small>for model: TXR, Type A and E SEE ALSO TXR-DIESEL</small>	 <p>A</p> <p>E</p>					
+AVS		+AVS	+AVS	+AVS	+AVS	+AVS
PLEXIGLASS	PMMA					
SAFETY GLASS	REQUIRED FOR ATEX					
BLOW OUT						
DRAG POINTER <small>RESETABLE WITH KEY</small>	Single Drag Pointer					
	Double Drag Pointer	N.A.	N.A.			
DRAG POINTER <small>IN COMBINATION WITH CONTACT RESETABLE WITH KEY</small>	ONLY FOR "HZ" CONTACTS	N.A.	N.A.			N.A.
OVERLOAD RESISTANCE EXECUTION	OVERLOAD POSSIBLE UPTO 100% DEPENDING ON RANGE MAXIMUM +800°C	OD	OD	OD	OD	OD
STAINLESS STEEL MOVEMENT	AISI304/1.4301					
MICROMETER POINTER	ADJUSTABLE POINTER					

* 160mm SS316L cases not available with electrical contacts