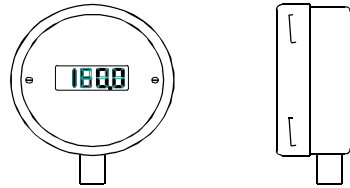
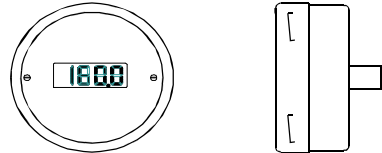
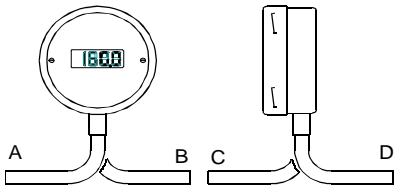
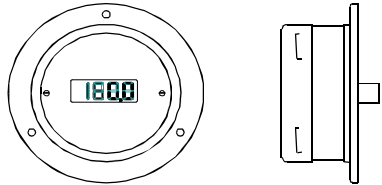


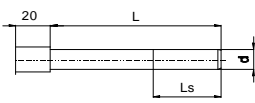
RIGID STEM DIGITAL THERMOMETERS

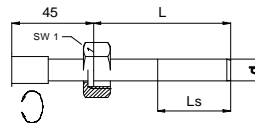
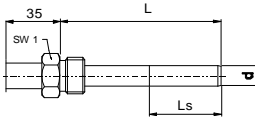
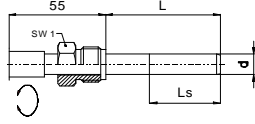
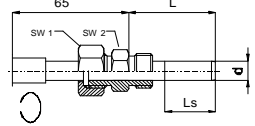
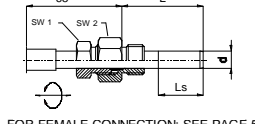
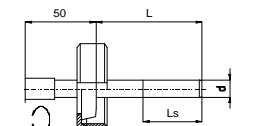
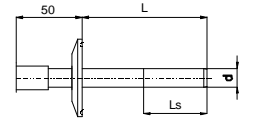
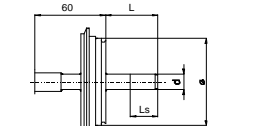
Type TER, with LCD display, battery powered

STANDARD MODEL:

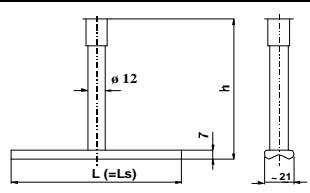
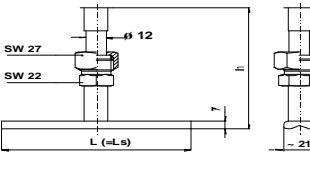
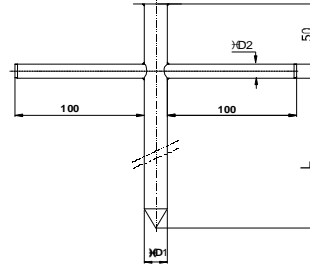
CASE	: Ø100 mm, bayonet lock, AISI304/1.4301, IP-65	RANGE	: -200...+600°C, see page 9
STEM AND BULB	: AISI321/1.4541, see page 4 and 5	BATTERY LIFETIME	: >7.5 year (3s), >10 year (10s)
WINDOW	: mineral glass 4 mm	SENSING ELEMENT	: PT100
DIAL	: aluminium, white	ACCURACY TYPE LX	: < 0.15%, ± 1 digit
DISPLAY	: 3½ - digit LCD, 12 mm high	TYPE HX	: < 0.1%, ± 1 digit
CONNECTION	: brass or AISI321, see page 4 and 5	AMBIENT TEMPERATURE	: -20...+70°C
POWER SUPPLY	: ultra long life battery	TEMPERATURE DRIFT	: < ±0,005% /°C over Tambient
UPDATE TIME	: 3s or 10s, selectable by solderlink	IMMUNITY	: IEC-801-2/3/4
		EMISSION	: EN-55022, class B

TYPE	MODEL	xx = Range	
		LX - 50.0 / + 150.0°C	HX - 200 / + 600°C
A		TER100XA-LX	TER100XA-HX O D
E		TER100XE-LX	TER100XE-HX O D
T		TER100XT-x-LX	TER100XT-x-HX O D
F		TER100XF-LX	TER100XF-HX O D
OPTION		EXTRA COSTS	
-TT2	built-in transmitter, 4...20mA power supply 13...35Vdc, 2 wire	TER100Xx-LX-TT2	TER100Xx-HX-TT2 O D

BULB LENGTH AND DIAMETER FOR TYPE TER				
TYPE	STANDARD MODEL Ls = 15 mm	bulb diameter Ø d (mm)	bulb length L AISI321/1.4541	EXTRA COSTS
A <i>PLAIN STEM</i>		9, 10, 12	per 100 mm	
		6, 6.35, 8, 11, 12.5, 13, 14	per 100 mm	
		7, 15, 16, 17, 18, 20	per 100 mm	
PTIONS ON BULB LENGTH AND DIAMETER: SEE P				

CONNECTIONS FOR RIGID STEM MODELS TYPE TER						
TYPE	MODEL options on connections: see page 5; Ls=15 mm	DIMENSIONS			EXTRA COSTS	
		connection	SW1	SW2	BRASS max 400°C	STAINLESS STEEL AISI304/1.4301
B <i>coupling nut</i>		1/2" BSP	27	-		
		3/4" BSP	32	-		
		1" BSP	41	-		
C <i>fixed nipple</i>		1/2" BSP/NPT	22	-	N.A.	
		3/4" BSP/NPT	30	-	N.A.	
		1" BSP/NPT	36	-	N.A.	
A 04 <i>turning nipple</i>		1/2" BSP	22	-	N.A.	
		3/4" BSP	30	-	N.A.	
		1" BSP	36	-	N.A.	
B 01 <i>coupling nut + double nipple</i>		1/2" BSP/NPT	27	22		
		3/4" BSP/NPT	27	27	N.A.	
		1" BSP/NPT	27	36	N.A.	
CS 3 <i>adjustable connection, sliding on stem</i>		1/2" BSP/NPT	22	27	N.A.	
		3/4" BSP/NPT	22	32	N.A.	
		1" BSP/NPT	22	36	N.A.	
WITH POLISHED BULB, Ls = 15 mm		DIMENSIONS			STAINLESS STEEL AISI316/1.4401	
CM <i>sanitary coupling acc. to DIN 11851 (also available in SMS, RJT, IDF etc.)</i>		1" - NW25				
		1½" - NW40				
		2" - NW50				
		3" - NW75				
TC <i>TRI CLAMP sanitary connection acc. to ISO 2852</i>		1" - NW25				
		1½" - NW40				
		2" - NW50				
TV <i>TUCHENHAGEN® sanitary Varivent® In-Line connection</i>		DN50 For In Line housing DN25				
		DN68 For In Line housing DN40 and up				

SPECIAL BULBS FOR RIGID STEM MODELS TYPE TER

TYPE	MODEL	DIMENSIONS (mm)				EXTRA COSTS
		L	h	D1	D2	STAINLESS STEEL AISI321/1.4541
S <i>surface bulb: fixed type</i>	 <p>h = 107 mm : FOR EVERY 100 MM EXTENSION: SEE PAGE 4</p>	120	107			
SA <i>surface bulb: adjustable type</i>	 <p>h = 107 mm : FOR EVERY 100 MM EXTENSION: SEE PAGE 4</p>	120	107			
HP <i>with handle and point</i>	 <p>L = 1000 mm : FOR EVERY 100 MM EXTENSION: SEE PAGE 4</p>	1000		14	8	
		1000		16	10	
		1000		18	12	

OPTIONS FOR BULB AND STEM

OPTION		EXTRA COSTS
		PER 100 MM
BULB AND STEM AISI316/1.4401	for diameter 6, 8, 9, 10, 12, 13, 14, 15, 16 or 18 mm	
BULB AND STEM POLISHED (MECHANICAL)	for all diameters	
BULB AND STEM PTFE® LINING (max.250°C)	MAXIMUM 1000 mm (longer: ON DEMAND)	first 100 mm:
BULB AND STEM HALAR® COATED (max.120°C)		per 100 mm extra:

OPTIONS FOR CONNECTIONS

OPTION		EXTRA COSTS
CONNECTION: 1/2" BSP female (i.o. male)	ONLY FOR TYPE: CS 3	
CONNECTION: 3/4" BSP female (i.o. male)		
CONNECTION: 1" BSP female (i.o. male)		
CONNECTION : M24x1.5	advance basic price connection 3/4"bsp with:	
CONNECTION : M20x1.5	advance basic price connection 3/4"bsp with:	
CONNECTION : M18x1.5	advance basic price connection 1/2"bsp with:	
CONNECTION : 3/8" BSP	advance basic price connection 1/2"bsp with:	
CONNECTION : 1/4" BSP	advance basic price connection 1/2"bsp with:	
OTHERS		ON DEMAND

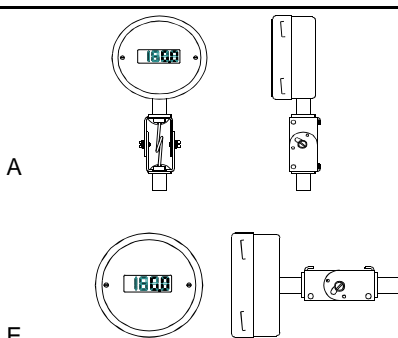
MARKING FOR TEMPERATURE GAUGES

OPTION	EXTRA PRICE
TAG number on dial	
TAG number on AISI304/1.4301 TAG plate 55x25 mm	
Lettering on dial	

CERTIFICATES FOR TEMPERATURE GAUGES

TYPE OF CERTIFICATE	NET PRICES
Certificate of Conformity acc. to EN 10204 2.2.	20,00
Calibration certificate (Traceable to N.K.O.)	46,00
Material certificate wetted parts acc. to EN 10204 3.1	ON REQUEST

OPTIONS FOR DIGITAL THERMOMETERS, TYPE TER, TEC

OPTION	EXTRA PRICE
CASE MATERIAL AISI316/1.4401 (i.o. AISI304/1.4301)	CASE + BAYONETRING FRONT- OR BACKFLANGE
KNEE-JOINT AISI304/1.4301 for model: TER, Type A and E	
K360	BENDABLE OVER 360°
PLEXIGLASS	PMMA
SECURIT" GLASS	SAFETY GLASS
	+K360°

STANDARD TEMPERATURE RANGES

(in °C)	RESOLUTION	TYPE	(in °C)	RESOLUTION	TYPE
-200...+50	1	HX	-20...+100	0.1	LX
-120...+40	1	HX	-20...+120	0.1	LX
-110...+50	1	HX	-20...+180	1	HX
-100...+100	1	HX	-15...+45	0.1	LX
-100...+50	1	HX	-10...+15	O.D.	O.D.
-80...+40	1	HX	-10...+30	O.D.	O.D.
-60...+40	1	HX	-10...+50	0.1	LX
-60...+60	1	HX	-10...+110	0.1	LX
-50...+50	0.1	LX	-10...+150	0.1	LX
-40...+20	0.1	LX	0...+25	O.D.	O.D.
-40...+40	0.1	LX	0...+40	O.D.	O.D.
-40...+60	0.1	LX	0...+60	0.1	LX
-40...+80	0.1	LX	0...+80	0.1	LX
-40...+110	0.1	LX	0...+100	0.1	LX
-40...+120	0.1	LX	0...+120	0.1	LX
-40...+150	0.1	LX	0...+150	0.1	LX
-30...+30	0.1	LX	0...+200	1	HX
-30...+50	0.1	LX	0...+250	1	HX
-30...+70	0.1	LX	0...+300	1	HX
-30...+170	1	HX	0...+400	1	HX
-20...+40	0.1	LX	0...+500	1	HX
-20...+60	0.1	LX	0...+600	1	HX
-20...+80	0.1	LX	OTHER		O.D.

STAINLESS STEEL POCKETS (WELDED)

WELDED POCKETS (THREADED), $P_{max} = 25 \text{ bar}$

TYPE		STANDARD DIMENSIONS (in mm)								COSTS	PER 100 mm extra
02	03	BULB DIA.	L pocket	d1	d2	d3	D	SW-1	SW-2		
		10	100	1/2"BSP	1/2"BSP	10,5	12,5	22	27		
		10	100	1/2"BSP	3/4"BSP	10,5	12,5	27	32		
		10	100	1/2"BSP	1"BSP	10,5	12,5	41	41		
		12,5	63	1/2"BSP	1/2"BSP	13	15	22	27		
		12,5	63	1/2"BSP	3/4"BSP	13	15	27	32		
		12,5	63	1/2"BSP	1"BSP	13	15	41	41		

WELDED POCKETS FOR WELDING, $P_{max} = 25 \text{ bar}$

TYPE		STANDARD DIMENSIONS (in mm)								COSTS	PER 100 mm extra
04	05	BULB DIA.	L pocket	d1	d2	d3	D	SW-1	SW-2		
		10	100	1/2"BSP	18	10,5	12,5	22	27		
		10	100	1/2"BSP	23	10,5	12,5	27	32		
		10	100	1/2"BSP	28	10,5	12,5	36	41		
		12,5	63	1/2"BSP	18	13	15	22	27		
		12,5	63	1/2"BSP	23	13	15	27	32		
		12,5	63	1/2"BSP	28	13	15	36	41		

L1 = BULB LENGTH THERMOMETER "L" FOR CONNECTION TYPE "B", "C" AND "CS 3"
FOR TYPE "A 04": L1 = L + 15 mm

**OTHER DESIGNS AND MATERIALS ARE AVAILABLE TO CUSTOMER SPECIFICATIONS E.G. BAR-STOCK
ALSO AVAILABLE WITH MATERIAL CERTIFICATE ACC. TO EN 10204 3.1**