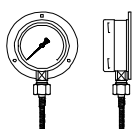


"ALL-STAINLESS" SANITARY PRESSURE GAUGES, TYPE PFQ

TYPE PFQ, capillary tube with sanitary chemical seal

STANDARD MODEL

CASE : bayonet lock, AISI304/1.4301, IP-65 standard with blow-out device
WETTED PARTS : flush diaphragm, AISI316L/1.4435
WINDOW : mineral glass 4 mm
DIAL : aluminium, black figures on white
POINTER : aluminium, black
MOVEMENT : stainless steel AISI304/1.4301



PFQxxxXB-xx

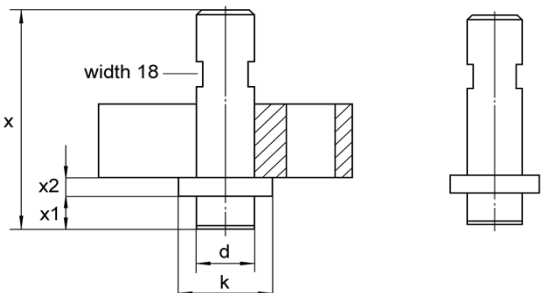

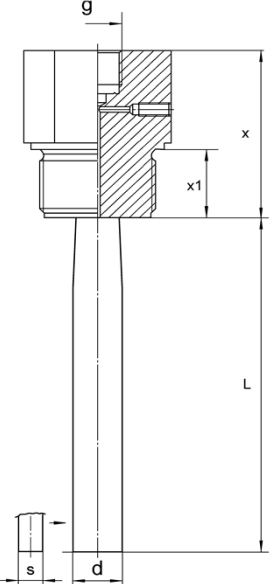

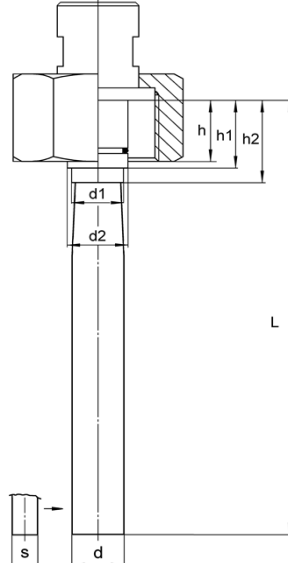

CAPILLARY : AISI321/1.4541 plain or armoured
RANGE : -1/0.6 upto 0-40 bar acc. to EN 837-1 (see page 55)
ACCURACY : case Ø 63 and Ø 80 mm: ±1.6% F.S./class 1.6
 case Ø 100 and Ø 160 mm: ±1.0% F.S. /class 1.0
Tprocess : -20/+120° Celcius (-40/+400°C on demand)
OPTIONS : see page 57-58, electrical contacts and/or transmitters
 4-20mA, 0-20mA, 0-10Vdc: see page 59-65

TYPE	SEAL		DN	MINIMUM PN	CASE DIAMETER xxx (Ø in mm)			
	NORM	MODEL			063	080	100	160
PFQxxxXB-01	DIN 11851		1"	1.6 bar				
PFQxxxXB-02			DN25	1.6 bar				
PFQxxxXB-03	GLAND PIECE + COUPLING NUT		1 1/2"	1.6 bar				
PFQxxxXB-06			DN40	1.6 bar				
PFQxxxXB-07	SMS 1145		2"	1.6 bar				
PFQxxxXB-10			DN50	1.6 bar				
PFQxxxXB-11	APV-RJT (BS)		1 1/2"	1.6 bar				
PFQxxxXB-14			DN40	1.6 bar				
PFQxxxXB-15	GLAND PIECE + COUPLING NUT		2"	1.6 bar				
PFQxxxXB-18			DN50	1.6 bar				
PFQxxxXB-19	IDF-ISS ISO-2853		1" - 1 1/2"	1.6 bar				
PFQxxxXB-20			DN50	1.6 bar				
PFQxxxXB-21	TUCHENHAGEN VARIVENT IN-LINE		2"	1.6 bar				
PFQxxxXB-21			DN68	1.6 bar				

CAPILLARY TUBE			EXTRA COSTS			
PLAIN CAPILLARY		AISI316/1.4401 d= 3,2 mm	FIRST 1000 mm :		PER 1000 mm EXTRA :	
ARMOURED CAPILLARY		AISI304/1.4301 d= 7 mm	FIRST 1000 mm :		PER 1000 mm EXTRA :	
ARMOURED CAPILLARY		AISI316/1.4401 d= 7 mm	FIRST 1000 mm :		PER 1000 mm EXTRA :	

OPTIONS			CASE DIAMETER xxx (Ø in mm)			
			063	080	100	160
PFQxxxXA-xx		WALL MOUNTING BRACKET BOTTOM ENTRY				
PFQxxxXD-xx		FRONT FLANGE BOTTOM ENTRY	no extra costs	no extra costs	no extra costs	no extra costs
PFQxxxXH-xx		MOUNTING BEZEL AND U-CLAMP, OFF-CENTRE BACK ENTRY				
PFQxxxXJ-xx		FRONT FLANGE, OFF-CENTRE BACK ENTRY				
PFQxxxLx-xx	CASE GLYCERINE FILLED (In combination with electrical device: Ondina oil see page 64)					

"ALL STAINLESS" PRESSURE GAUGES FOR HOMOGENISERS

TYPE	DRAWING	DIMENSIONS mm																												
PBR 01 02	 <p align="center">Flush diaphragm</p>	 <table border="1" data-bbox="901 660 1516 772"> <thead> <tr> <th>Flange</th> <th>PN</th> <th>x</th> <th>x1</th> <th>x2</th> <th>d</th> <th>k</th> <th>Flange</th> </tr> </thead> <tbody> <tr> <td>With</td> <td>1000</td> <td>89</td> <td>12.3</td> <td>10</td> <td>23.8</td> <td>35</td> <td rowspan="2">95x43x28, holes ø17mm, pitch 60</td> </tr> <tr> <td>Without</td> <td></td> <td></td> <td></td> <td></td> <td></td> <td></td> </tr> </tbody> </table>	Flange	PN	x	x1	x2	d	k	Flange	With	1000	89	12.3	10	23.8	35	95x43x28, holes ø17mm, pitch 60	Without											
	Flange	PN	x	x1	x2	d	k	Flange																						
With	1000	89	12.3	10	23.8	35	95x43x28, holes ø17mm, pitch 60																							
Without																														
PBT 01 02 03	 <p align="center">Finger Type male connection</p>	 <table border="1" data-bbox="901 1254 1516 1400"> <thead> <tr> <th>DN</th> <th>PN bar</th> <th>x</th> <th>x1</th> <th>L</th> <th>g</th> <th>d</th> <th>s</th> <th>HEX</th> </tr> </thead> <tbody> <tr> <td>½"BSP</td> <td rowspan="3">1000</td> <td>55</td> <td>20</td> <td rowspan="3">102</td> <td rowspan="3">½"BSP</td> <td rowspan="3">13</td> <td rowspan="3">6</td> <td>27</td> </tr> <tr> <td>¾"BSP</td> <td>55</td> <td>27</td> <td>36</td> </tr> <tr> <td>1"BSP</td> <td>56</td> <td>21</td> <td>41</td> </tr> </tbody> </table>	DN	PN bar	x	x1	L	g	d	s	HEX	½"BSP	1000	55	20	102	½"BSP	13	6	27	¾"BSP	55	27	36	1"BSP	56	21	41		
	DN	PN bar	x	x1	L	g	d	s	HEX																					
½"BSP	1000	55	20	102	½"BSP	13	6	27																						
¾"BSP		55	27					36																						
1"BSP		56	21					41																						
04 05 06	 <p align="center">Finger Type female connection</p>	 <table border="1" data-bbox="901 1881 1516 2027"> <thead> <tr> <th>DN</th> <th>PN bar</th> <th>h</th> <th>h1</th> <th>h2</th> <th>L</th> <th>d</th> <th>d1</th> <th>d2</th> <th>s</th> <th>HEX</th> </tr> </thead> <tbody> <tr> <td>¾"BSP</td> <td rowspan="3">1000</td> <td>15</td> <td rowspan="3">25</td> <td rowspan="3">30</td> <td rowspan="3">112</td> <td rowspan="3">13</td> <td rowspan="3">15</td> <td rowspan="3">20</td> <td rowspan="3">6</td> <td>32</td> </tr> <tr> <td>1"BSP</td> <td>19</td> <td>41</td> </tr> <tr> <td>1¼"BSP</td> <td>19</td> <td>50</td> </tr> </tbody> </table>	DN	PN bar	h	h1	h2	L	d	d1	d2	s	HEX	¾"BSP	1000	15	25	30	112	13	15	20	6	32	1"BSP	19	41	1¼"BSP	19	50
	DN	PN bar	h	h1	h2	L	d	d1	d2	s	HEX																			
¾"BSP	1000	15	25	30	112	13	15	20	6	32																				
1"BSP		19								41																				
1¼"BSP		19								50																				

STANDARD PRESSURE RANGES FOR TYPES:

**PBX, PBX-TG, PBX-SF, PBB, PMX, PPB, PBS, PFS, PBQ, PFQ, PBR, PBT, RPX, RPP, PBX-SS,
DIFFERENTIAL PRESSURE GAUGES**

PRESSURE RANGES				EXTRA COSTS											
(in bar)*****	SCALE DIVISION			CASE DIMENSIONS (in mm)											
	cl. 1.0 cl. 1.6	OPTION		Ø 63	Ø 80	Ø 100	Ø 160	Ø 250	72x72	96x96	144x144	192x192 280x280 380x380 400x300 500x400	72x144 144x72	192x96 96x192	
		cl. 0.6 cl. 0.5	only PBX-TG cl. 0.3 cl. 0.25												
-1 ...0	0.02	0.005	0.005												
-1 ...0.6	0.05	0.01	0.005												
-1 ...1.5	0.05	0.02	0.01												
-1 ...3	0.1	0.02	0.01												
-1 ...5	0.1	0.05	0.02												
-1 ...9	0.2	0.05	0.05												
-1 ...15	0.5	0.1	0.05												
-1 ...24	0.5	0.2	0.1												
0 ...0.6	0.01	x	x												
0 ...1	0.02	0.005	0.005												
0 ...1.6	0.05	0.01	0.005												
0 ...2.5	0.05	0.02	0.01												
0 ...4	0.1	0.02	0.01												
0 ...6	0.1	0.05	0.02												
0 ...10	0.2	0.05	0.05												
0 ...16	0.5	0.1	0.05												
0 ...25	0.5	0.2	0.1												
0 ...40	1	0.2	0.1												
0 ...60	1	0.5	0.2												
0 ...100	2	0.5	0.5												
0 ...160	5	1	0.5												
0 ...250	5	2	1												
0 ...400	10	2	1												
0 ...600	10	5	2												
0 ...1000	20	5	5												
0 ...1600	50	x	x	x	x				x				x	x	
0 ...2000	50	x	x	x	x			x	x	x	x	x	x	x	x
0 ...2500*	50	x	x	x	x			x	x	x	x	x	x	x	x
0 ...3000*	50	x	x	x	x			x	x	x	x	x	x	x	x
0 ...4000**	50	x	x	x	x		See p14	x	x	x	x	x	x	x	x
0 ...5000***, 0 ... 6000*** and 0 ...7000*** - see page 14															
NON STANDARD RANGES															
e.g. 0-7 bar or 0-110 psi															
DOUBLE SCALES															
e.g. bar/psi, bar/kPa, etc.															
FREON SCALES e.g. R12, R134A, R22, R404A, R407C, R502, R504, R717, NH3															
ACCURACY															
±1.6% F.S. (class 1.6)				•	•	x	x	x	•	•	x	x	x	x	
±1.0% F.S. (class 1.0)						•	•	•			•	•	•	•	
±0.6 / 0.5 %F.S. (class 0.6 or 0.5)***				x	x				x	x					
±0.3 / 0.25 %F.S. (class 0.3 or 0.25) ****				x	x	x	****	****	x	x	x	x	x	x	x
Mirrorscale (standard for PBX-TG, page 12)				x	x	x			x	x	x	x	x	x	x
TRM scales															
0 ...100 % lin.															
0 ...10 square root															
0.2 ...1 bar															
3 ...15 psi															
20 ...100 kPa															
x	NOT AVAILABLE			* ELEMENT CrMo52 i.o. AISI316Ti/1.4571				*** ONLY FOR TYPE PBX OR PBX-SF							
•	STANDARD			** ELEMENT NiSpan C i.o. AISI316Ti/1.4571				****ONLY FOR TYPE PBX-TG - see page 12							
***** Scale in Psi, kPa, kg/cm², mWC etc. available with no extra charge															

OPTIONS ON PRESSURE GAUGES

TYPE	CASE DIMENSIONS (in mm)	EXTRA COSTS							
		CONNECTIONS						CASE & BEZEL	
		1/8"BSP/NPT max. 400 bar	1/4"BSP/NPT max. 1000 bar	1/2"BSP max. 2500 bar***, 1/2"NPT max. 1000 bar	3/8"BSP/NPT max. 1000 bar	M20x1.5 max. 1600 bar	M16x1.5 H.P. female max. 7000 bar**	9/16"UNFx18 H.P. female max. 7000 bar**	AISI316L / 1.4404
PBX	063		•						×
	080		•					×	×
	100			•					
	160			•				*	*
	250			•				×	×
PBX-SF	063		•					○	×
	100			•				○	
	160			•				○	
PBB	100			•				×	×
	160			•				×	×
PCX	100			•			×	×	
	160			•			×	×	
	250			•			×	×	×
PMX	100			•			×	×	×
	160			•			×	×	×
PPB - PPC	square		•				×	×	×
	rectangular		•				×	×	×
PBS - PBQ	063	ON DEMAND: SEE ALSO PAGE 23-41							
PFS - PFQ	080							×	×
	100								
	160								
PBR - PBT	100	SEE PAGE 42-43							×
	160								×
PCD	100			•			×	×	
	160			•			×	×	
PBD	100			•			×	×	×
	160			•			×	×	×
PMD	100			•			×	×	
	160			•			×	×	×
POD	100						×	×	×
	160						×	×	*
RPX	ALL			•				×	×
PBX-SS	063		•					•	•
	100			•				•	•
	160			•				•	•

× NOT AVAILABLE
 • STANDARD
 ○ ON DEMAND
 * Not possible in combinations with contacts or transmitters
 ** Not available with pulsation damper
 *** As per DIN16001

OPTIONS ON PRESSURE GAUGES

TYPE	CASE DIMENSIONS (in mm)	EXTRA COSTS													
		WINDOW MATERIAL			BLOW- OUT		POINTERS					MEASURING SYSTEM			
		PMMA - PLEXIGLASS	SECURIT	LAMINATED SAFETY GLASS	DISC	PLUG * (LIQUID FILLED)	ADJUSTABLE	INDEX POINTER ON GLASS	DRAG POINTER		DRAG POINTER in combination with HZ contact	OIL & GREASE FREE**	MONEL WETTED PARTS	PULSATION DAMPER AISI316 1.4401	OVERLOAD 2x F.S. other on demand
									Single	Double					
PBX	063				●	●					×	×			
	080				●	●					×	×			
	100				●	●									
	160				●	●									
	250				●	●					×		×		
PBX-SF	063	×	×	●	×	×					×	×			
	100	×	×	●	×	×					×				
	160	×	×	●	×	×					×				
PBB	100				●	●	×				×				
	160				●	●	×				×				
PCX	100				●	●				○	×	×	×	×	see page 16
	160				●	●				○	×	×	×	×	
	250				●	●				×	×	×	×	×	
PMX	100				●	●					×		×	×	see page 17-18
	160				●	●					×		×	×	
PPB	square	●	×	×	×	×					×		×		○
PPC	rectangular	●	×	×	×	×	×	×	×	×	×		×		○
PBS	063		×		●	●					×	×	○		○
PBQ	080		×	×	●	●					×	×	○		○
PFS	100				●	●					×		○		○
PFQ	160				●	●					×		○		○
PBR	100				●	●					×		○		○
PBT	160				●	●					×		○		○
PCD	100	×		×	×	×		×	×	×	×	×	×		see page 46
	160	×		×	×	×		×	×	×	×	×	×		
PBD	100				●	●					×		×		×
	160				●	●					×		×		×
PDD	100				●	●					×	×	×		×
PMD	160				●	●					×	×	×		×
POD	100				●	●					×	×	×	×	×
	160				●	●					×	×	×	×	×
RPX	ALL	●	see page 21,	×	×	×	●	×	×	×	×		×	×	
RPP		●	22	×	×	×	●	×	×	×	×		×	×	
PBX-SS	063	×	●	×	×	×		×	×	×	×				
	100	×	●	×	×	×		×	×	×	×				
	160	×	●	×	×	×		×	×	×	×				

✗ NOT AVAILABLE

● STANDARD

○ ON DEMAND

* WITH COMPENSATING DIAPHRAGM

** Only PBX-SFxxxXX is suitable for use on oxygen!