

# BOURDON TUBE PRESSURE GAUGES

Type: 7221

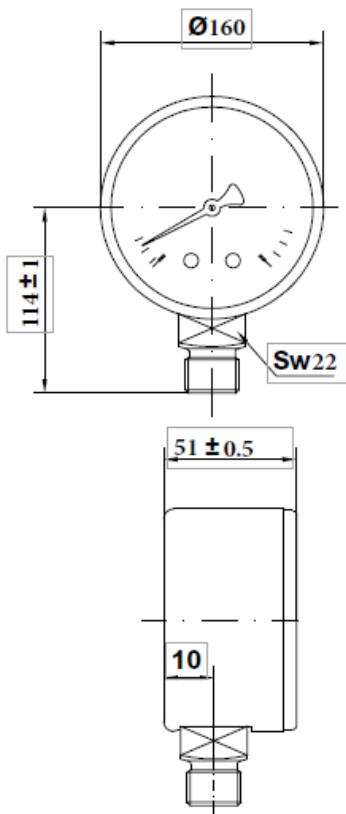
Case diameter: 160 MM



## Glycerine Filled Stainless steel DN160 Bottom Entry

### Materials

Case:	Stainless steel AISI-304 Bayonet ring: polished stainless steel AISI-304
Window:	Laminated safety glass
Dial:	White aluminium Individual serial number for traceability
Pointer:	Black aluminium
Pressure connection:	SS-AISI-316L, G 1/2", 22 mm flats
Measuring element:	Bourdon tube, Stainless steel AISI-316L
Movement:	Stainless steel AISI-304 with min. and max. stops.



### Technical Specifications

Socket:	welded to case 1/2" BSP Male / Stainless steel AISI-316L 1/2" NPT Male / Stainless steel AISI-316L includes internal thread to mount restrictor screw for pulsation dampening
Temperature range:	Ambient: -20 ... +65 °C Process: + 100°C maximum
Accuracy class:	cl. 1.0 to the full scale value
Blow-out protection:	yes: rear mounted with compensation diaphragm
Individual Weight:	0.978 kg (dry)
Range:	0-1600 Bar