

BOURDON TUBE PRESSURE GAUGES

Type: 7211

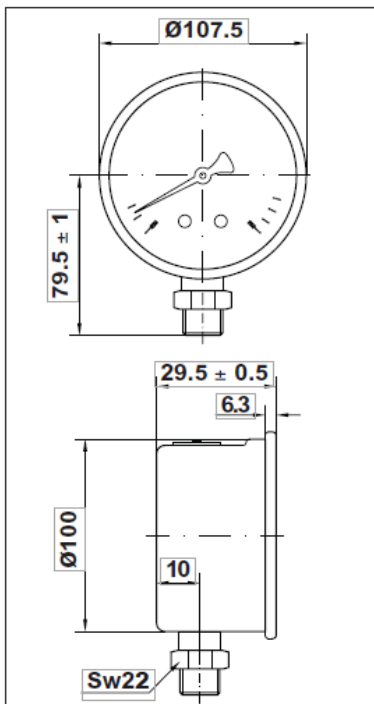
Case diameter: 100 MM cl. 1.0



Glycerine Filled Stainless steel DN100 Bottom Entry

Materials

Case:	Stainless steel 1.4301
Window:	Clear Glass
Dial:	White plastic
Pointer:	Black plastic
Pressure connection:	Cu-alloy, G 1/2", 22 mm flats
Pressure element:	Bourdon tube Cu-alloy soft soldered, < 60 bar C-type, >60 bar helical type
Movement:	Cu-alloy
Liquid filling:	Glycerine 99.5 %



Technical Specifications

Design:	EN 837-1
Working pressure:	Steady: 75 % of full scale value Fluctuating: 60 % of full scale value Short time: full scale value Over pressure limit: 120 % of max scale value
Operating temperature:	Ambient: -20 ... +60 °C
Medium:	+60 °C maximum
Storage:	-20 ... +60 °C
Temperature effect:	Deviation from reference temperature (+20°C) ±0,04%/1K of the span
Accuracy class:	cl. 1.0 to the full scale value
Degree of protection:	IP 65 per EN 60 529 / IEC 529
Individual Weight:	0.540 kg
Range:	-1 + 0 to 0-1000 Bar