

BOURDON TUBE PRESSURE GAUGES

Type: 6001

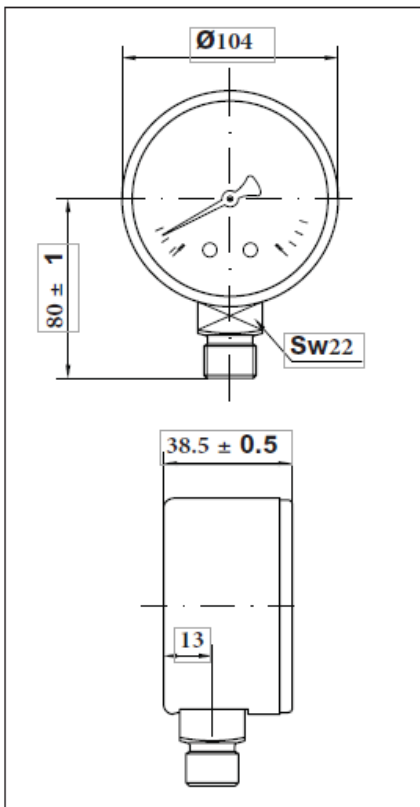
Case diameter: 100 MM



Dry Steel Case DN100 Bottom Entry

Materials

| | |
|----------------------|---|
| Case: | Black steel, powder coated |
| Window: | Clear plastic |
| Dial: | White aluminium |
| Pointer: | Black aluminium |
| Pressure connection: | Cu-alloy, G 1/2", 22 mm flats |
| Pressure element: | Bourdon tube Cu-alloy soft soldered, < 60 bar C-type, >60 bar helical type |
| Movement: | Cu-alloy |



Technical Specifications

| | |
|------------------------|--|
| Design: | EN 837-1 |
| Working pressure: | Steady: 75 % of full scale value Fluctuating: 60 % of full scale value Short time: full scale value Over pressure limit: 120 % of max scale value |
| Operating temperature: | Ambient: -20 ... +60 °C |
| Medium: | +60 °C maximum |
| Storage: | -20 ... +60 °C |
| Temperature effect: | Deviation from reference temperature (+20°C) ±0,04%/1K of the span |
| Accuracy class: | cl. 2.5 to the full scale value |
| Degree of protection: | IP 31 per EN 60 529 / IEC 529 |
| Individual Weight: | 0.347 kg |
| Range: | -1 + 0 to 0-400 Bar |