

## BOURDON TUBE PRESSURE GAUGES

Type: 7221

Case diameter: 63 MM



### Glycerine Filled Stainless steel DN63 Bottom Entry

#### Materials

Case:	Stainless steel AISI-304 Bayonet ring: polished stainless steel AISI-304
Window:	Laminated safety glass
Dial:	White aluminium Individual serial number for traceability
Pointer:	Black aluminium
Pressure connection:	SS-AISI-316L, G 1/4", 14 mm flats
Measuring element:	Bourdon tube, Stainless steel AISI-316L
Movement:	Stainless steel AISI-304 with min. needle stop.

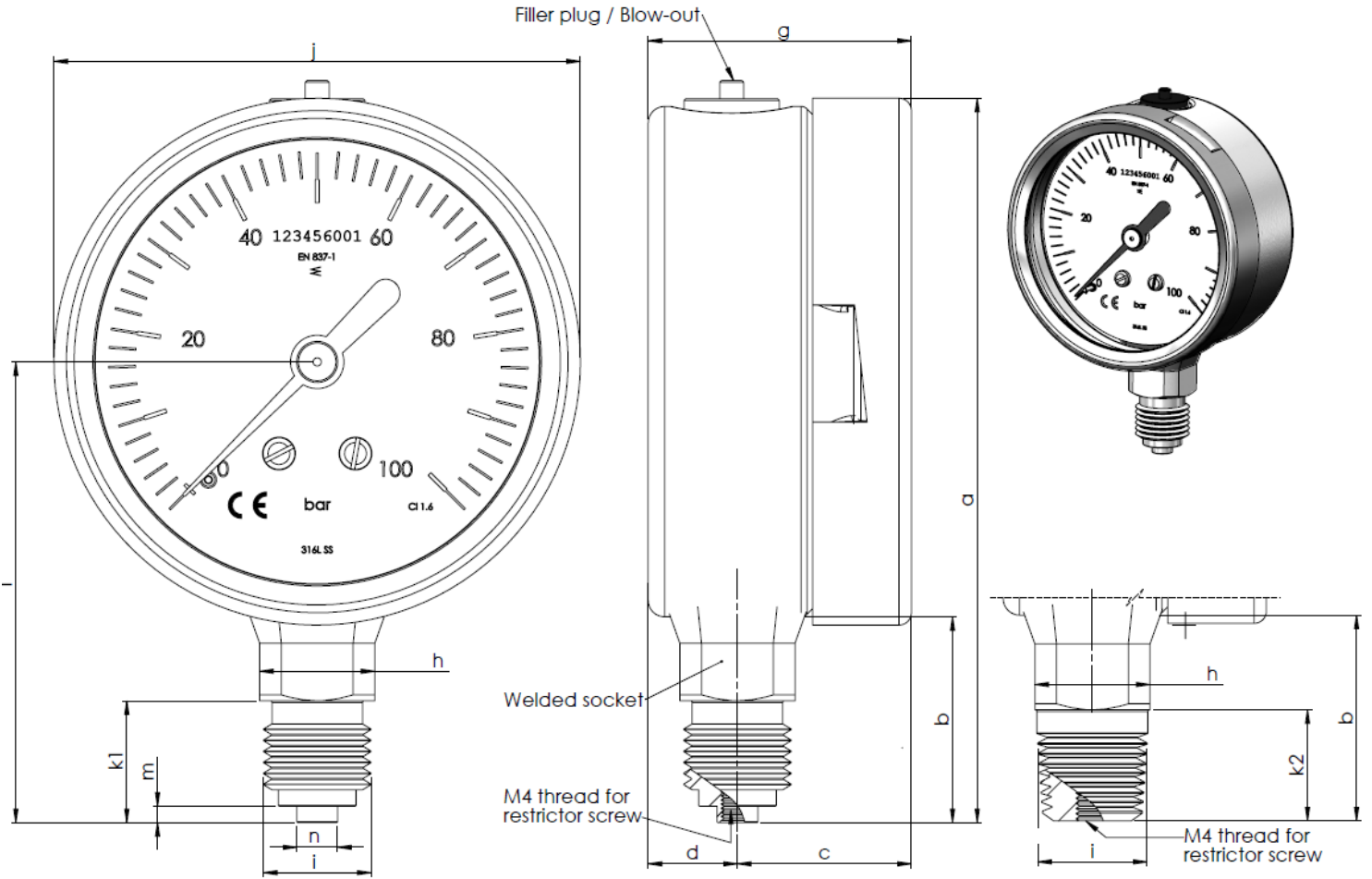
#### Technical Specifications

Socket:	welded to case 1/4" BSP Male / Stainless steel AISI-316L 1/4" NPT Male / Stainless steel AISI-316L includes internal thread to mount restrictor screw for pulsation dampening
Temperature range:	Ambient: -20 ... +65 °C Process: + 100°C maximum
Accuracy class:	Cl. 1.6 to the full scale value
Blow-out protection:	yes: top mounted
Individual Weight:	0.160 kg
Range:	0-1000 Bar

# BOURDON TUBE PRESSURE GAUGES

Type: 7221

Case diameter: 63 MM



Dim.	Type	a	b	c	d	g	h	i	j	k1	k2	l	m	n	Weight
Metric [mm]	BSP	88	25	21.2	10.8	32	Hex 14	1/4"	64	14.8	---	56	2	4.95	0.16 kg
US [inch]		3.46	0.98	0.83	0.43	1.26		1/4"	2.52	0.58	---	2.2	0.08	0.195	0.35 lb
Metric [mm]	NPT	88	25	21.2	10.8	32		1/4"	64	---	13.5	56	---	4.95	0.16 kg
US [inch]		3.46	0.98	0.83	0.43	1.26		1/4"	2.52	---	0.53	2.2	---	0.195	0.35 lb