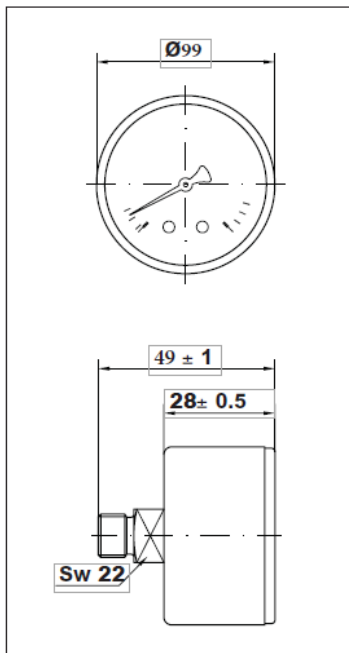


BOURDON TUBE PRESSURE GAUGES

Type: 7014

Case diameter: 100 MM cl. 1.0



Dry Stainless steel DN100 Back Entry

Materials

Case: Stainless steel 1.4301
Window: Clear glass
Dial: White aluminium
Pointer: Black aluminium
Pressure connection: Cu-alloy, G 1/2", 22 mm flats

Pressure element: Bourdon tube Cu-alloy soft soldered,
< 60 bar C-type, >60 bar helical type
Movement: Cu-alloy

Technical Specifications

Design: EN 837-1
Working pressure: Steady: 75 % of full scale value
Fluctuating: 60 % of full scale value
Short time: full scale value
Over pressure limit: 120 % of max scale value
Operating temperature: Ambient: -20 ... +65 °C
Medium: +60 °C maximum
Storage: -20 ... +60 °C
Temperature effect: Deviation from reference temperature (+20°C) ±0,04%/1K of the span
Accuracy class: cl. 1.0 to the full scale value
Degree of protection: IP 31 per EN 60 529 / IEC 529
Individual Weight: 0.315 kg
Range: -1 + 0 to 0-1000 Bar